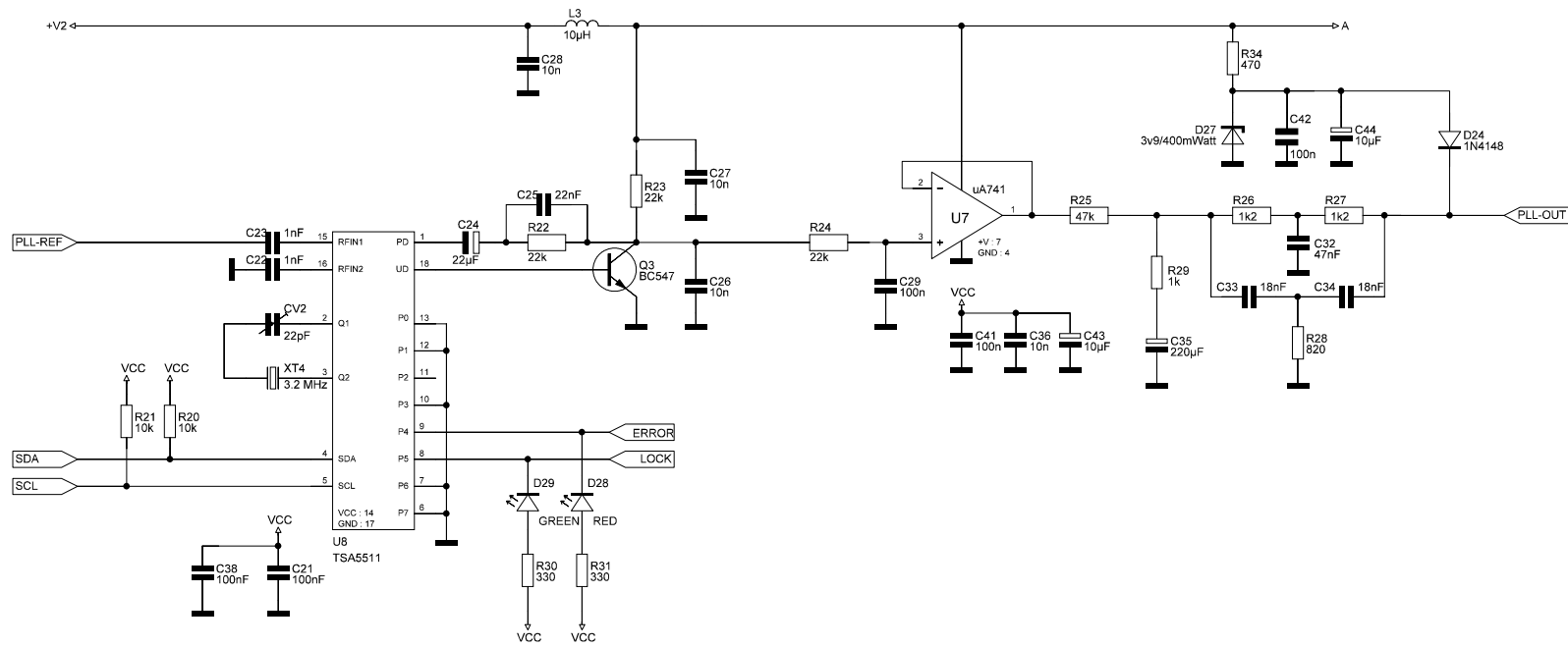

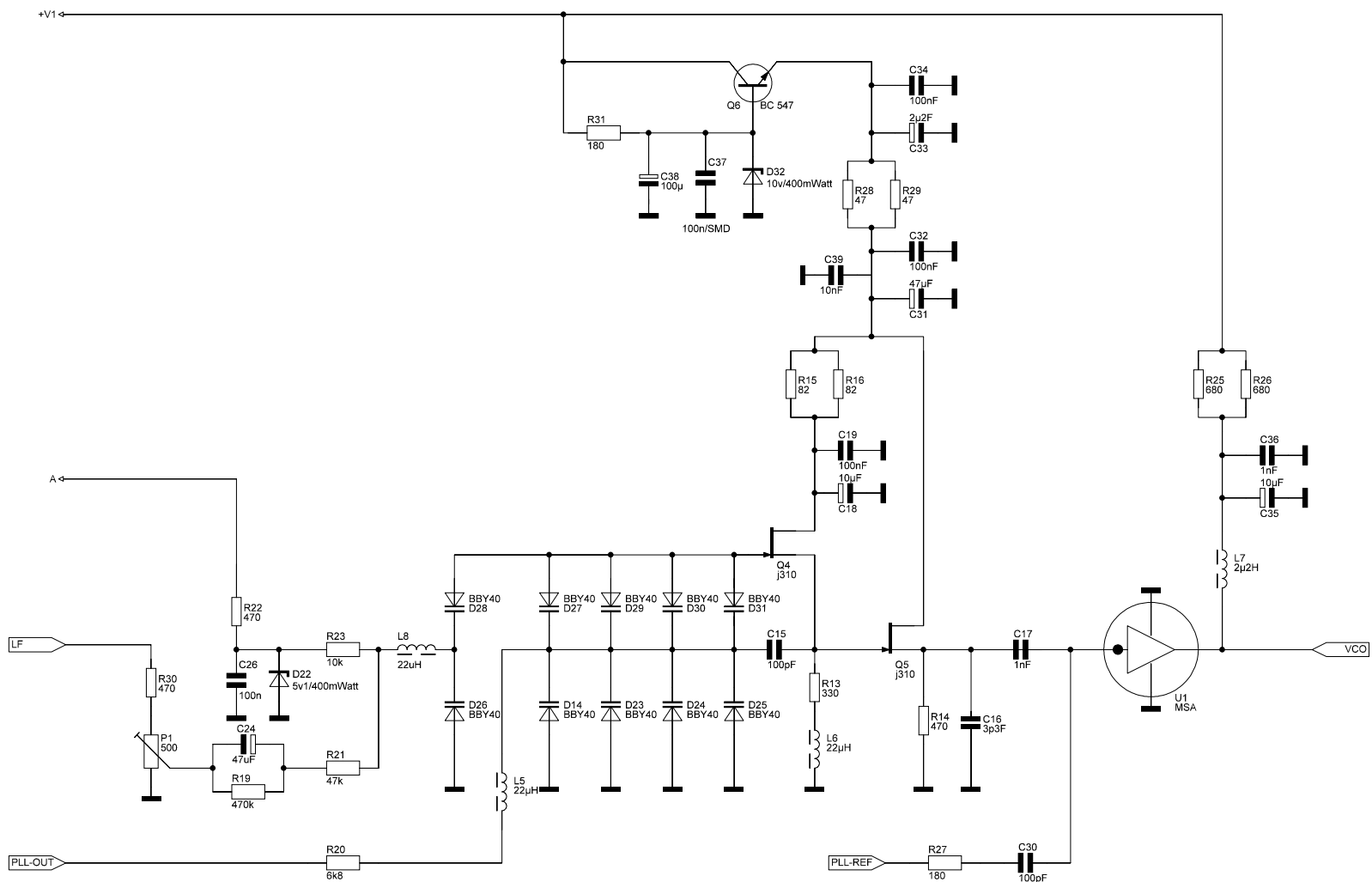



Changes		Drawing		acc.		CompanyLogo		Description		Page	
Name	Date	Name	Date	Name	Datum			PKBee NT 2.5Watt Transmitter Part : Controller unit		1	
		H. Slot	24-01-2012	H. Slot	24-01-2012						
										of	
		Norm:	n/a	Norm:	n/a					4	
Filename:		PKBee NT2.5W 2011v1.spl7									

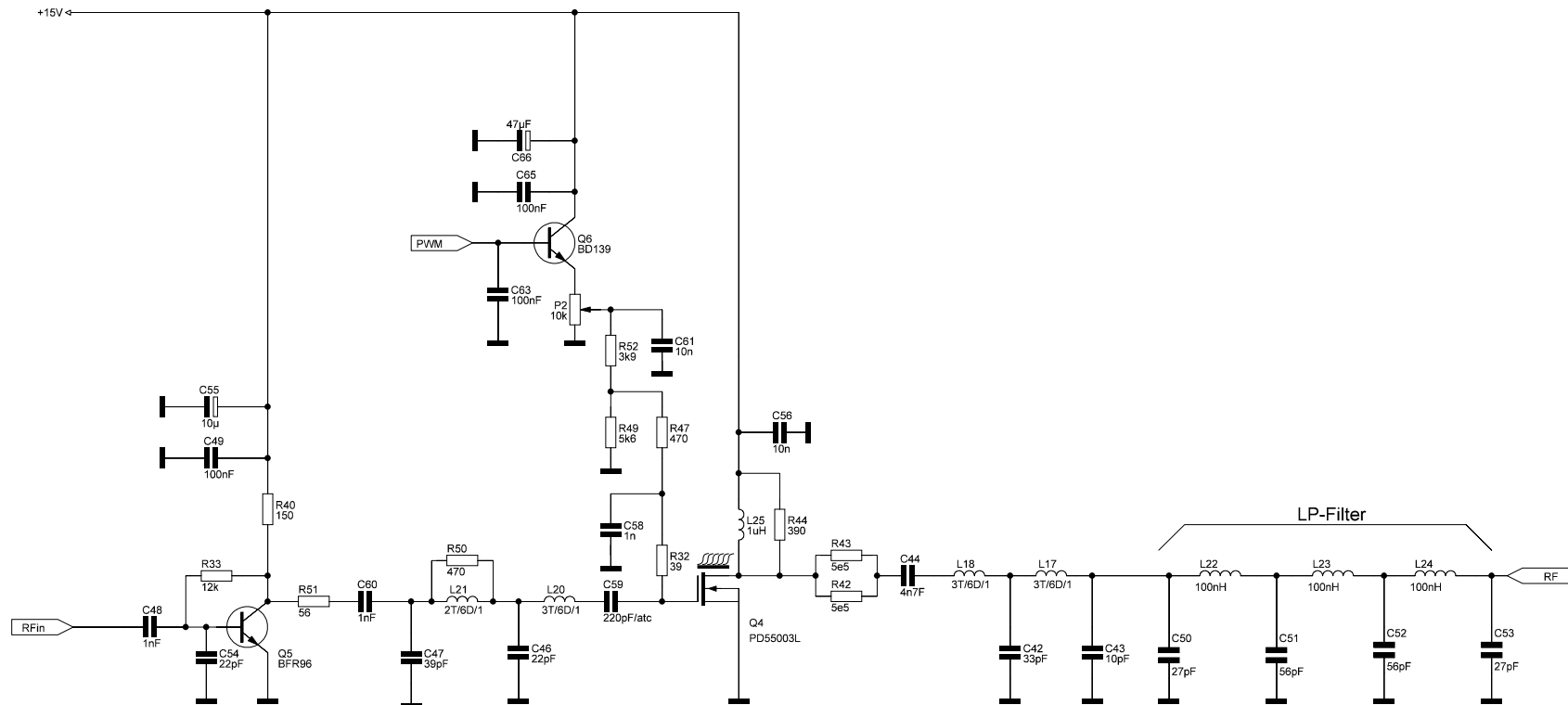



Changes		Drawing		acc.		CompanyLogo		Description				Page	
Name	Date	Name	Date	Name	Datum			PKBee NT 15Watt Transmitter Part : PLL-Unit				2	
		H. Slot	24-01-2012	H. Slot	24-01-2012							of	
								Drawings No.:				4	
Filename:		PKBee NT2.5W 2011v1.spl7		Norm:	n/a			Norm:	n/a				



Changes		Drawing		acc.		CompanyLogo	
Name	Date	Name	Date	Name	Datum		
		H. Slot	24-01-2012	H. Slot	24-01-2012		
		Norm:	n/a	Norm:	n/a		
Filename:	PKBee NT2.5W 2011v1.spl7						

Description	Page
PKBee NT 2.5Watt Transmitter Part : VCO	3
Drawings No.:	of
	4



Changes		Drawing		acc.		CompanyLogo		Description				Page	
Name	Date	Name	Date	Name	Datum			PKBee NT 2.5Watt Transmitter Part : Endstage				4	
			24-01-2012		24-01-2012							of	
								Drawings No.:				4	
Filename:		PKBee NT2.5W 2011v1.spl7											
		Norm:	n/a	Norm:	n/a								